



THEFT PREVENTING RELATED PARTS

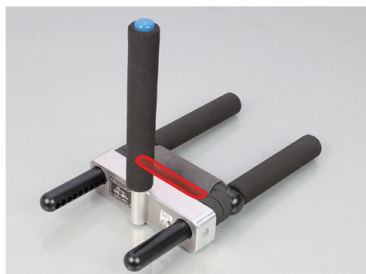
**HANDLE LOCK SHL-01+**



**UPPER BRACKET**

High-strength duralumin curved  
Hairline finish.

MAX HANDLE SPOKE : 105 × 113 mm  
(Sponge included)



MIN HANDLE SPOKE : 105 × 28 mm  
(Sponge included)



**HORN SHAFT**

φ20 high-strength duralumin

Shaft cover on upper  
bracket side is cut to  
adjust spoke  
thickness.

**HANDLE LOCK SHAFT**

φ 25 high-strength duralumin  
Black baked paint.

**FOR SCRATCH PREVENTION  
PROTECTIVE SPONGE**

Entire shaft is covered to  
protect handle area when  
installing the lock, etc.

28 ~ 113 mm  
thickness adjustable.



CROWN SPORTS

**MAKELOCK**

In addition to being pick-resistant, uses MAKELOCK rotary disc cylinder, which also has anti-terrorism capabilities (against attacks such as drills and saws).



MAKELOCK KEY

MAKELOCK KEY CYLINDER

※ Spare keys cannot be made.  
Keep this key safe.

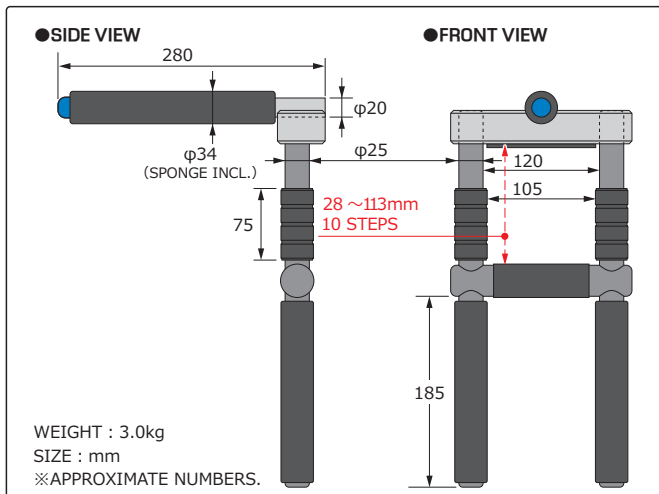
APPLICATION

- UNDER THE STEELING WHEEL SPOKE OF FOLLOWING MODEL  
**LEXUS** : LBX (10 / 15), LC (100), LM (15),  
LS (50 / 55), LX (310), GX550 (252), NX (20 ~ 26),  
RX (10 ~ 17), RZ (10 / 15), UX (11 / 16)  
**TOYOTA** : HARRIER (80 / 85), ALPHARD / VELLFIRE (30 / 35 · 40 / 45),  
PRIUS (60 ~ 65), CH-R (10 / 11 / 50), RAV4 (52 / 54), CROWN SPORTS (36 / 37),  
CROWN CROSS OVER (35), VOXY (90 / 95), LAND CRUISER PRAD (150),  
GR YARIS (16), GR COROLLA (14) etc. ※ GR SUPRA NOT USABLE  
**DAIHATSU** : HIJET (S500 / S510)
- SIDE OF THE STEERING SPOKE OF FOLLOWING MODELS ※  
**TOYOTA** : HILUX (125), LAND CRUISER 70 (76), LAND CRUISER 250 (250),  
LAND CRUISER (300), PRIUS (50 ~ 55), HIACE (200 ~ 226) etc.  
※ Not under the steering wheel. Tuning the steering wheel to adjust the position is required when installing and not for some models with paddle shift.(Refer to the following for fitting)

NOTES

- UPPER BRACKET : EXTRA SUPER DURALMIN STEEL / HAIR LINE FINISH
- UNDER BRACKET : EXTRA SUPER DURALMIN STEEL / BLACK BAKING PAINT FINISH
- HORN SHAFT : HIGH STRENGTH DURALUMIN
- HANDLE LOCK SHAFT : φ 25 EXTRA SUPER DURALMIN STEEL/BLACK BAKING PAINT FINISH ● PATTERN:HANDLE THICKNES : 10 PATTERNS (28 ~ 113mm)
- KEY CYLINDER : MAKELOCK ROTARY DISC CYLINDER (1 POSITION)
- KEY PATTERN : KEY PATTERN : 10,000 PATTERNS
- KEY : 3 KEYS INCL. (INCLUDING SPARE KEY) ※ ● HANDLE PROTECT SHAFT COVER INCL. ● WEIGHT : 3.0kg ● K · TECT PROTECTION LEVEL : 65

※ Spare keys cannot be made. Keep this key safe.



CODE	PRICE	JAN CODE
881-1201100	¥ 36,000	4 990852 129430



For HIACE, please turn steering wheel to the right before installing.